

BALDOR® • RELIANCE 

Product Information Packet

VRBM3538

.5HP, 1725RPM, 3PH, 60HZ, 56C, BRAKE, 3420M

Part Detail							
Revision:	L	Status:	PRD/A	Change #:		Proprietary:	No
Type:	AC	Elec. Spec:	34WG0097	CD Diagram:	CD0005	Mfg Plant:	
Mech. Spec:	34K208	Layout:	34LYK208	Poles:	04	Created Date:	
Base:	N	Eff. Date:	09-13-2018	Leads:	9#18		

Specs			
Catalog Number:	VRBM3538	Insulation Class:	F
Enclosure:	TENV	Inverter Code:	Not Inverter
Frame:	56C	KVA Code:	K
Frame Material:	Aluminum	Lifting Lugs:	No Lifting Lugs
Output @ Frequency:	.500 HP @ 60 HZ	Locked Bearing Indicator:	Locked Bearing
Synchronous Speed @ Frequency:	1800 RPM @ 60 HZ	Motor Lead Quantity/Wire Size:	9 @ 18 AWG
Voltage @ Frequency:	208.0 V @ 60 HZ	Motor Lead Exit:	Ko Box
	230.0 V @ 60 HZ	Motor Lead Termination:	Flying Leads
	460.0 V @ 60 HZ	Motor Type:	3420M
XP Class and Group:	None	Mounting Arrangement:	F1
XP Division:	Not Applicable	Power Factor:	69
Agency Approvals:	UR	Product Family:	General Purpose
	CSA	Pulley End Bearing Type:	Ball
Auxillary Box:	No Auxillary Box	Pulley Face Code:	C-Face
Auxillary Box Lead Termination:	None	Pulley Shaft Indicator:	Standard
Base Indicator:	No Mounting	Rodent Screen:	None
Bearing Grease Type:	Polyrex EM (-20F +300F)	RoHS Status:	ROHS COMPLIANT
Blower:	None	Shaft Extension Location:	Pulley End

Current @ Voltage:	.900 A @ 460.0 V	Shaft Ground Indicator:	No Shaft Grounding
	1.800 A @ 230.0 V	Shaft Rotation:	Reversible
	1.900 A @ 208.0 V	Shaft Slinger Indicator:	No Slinger
Design Code:	B	Speed Code:	Single Speed
Drip Cover:	No Drip Cover	Motor Standards:	NEMA
Duty Rating:	CONT	Starting Method:	Direct on line
Electrically Isolated Bearing:	Not Electrically Isolated	Thermal Device - Bearing:	None
Feedback Device:	NO FEEDBACK	Thermal Device - Winding:	None
Front Face Code:	Brake Mounting	Vibration Sensor Indicator:	No Vibration Sensor
Front Shaft Indicator:	None	Winding Thermal 1:	None
Heater Indicator:	No Heater	Winding Thermal 2:	None

Nameplate NP1893										
CAT.NO.	VRBM3538									
SPEC.	34K208-0097G1									
HP	.5									
VOLTS	208-230/460									
AMPS	1.9-1.8/.9									
RPM	1725									
FRAME	56C					HZ	60		PH	3
SER.F.	1.15			CODE	K	DES	B		CL	F
FL EFF	75.5			PF	69					
RATING	40C AMB-CONT									
CC								USABLE AT 208V	1.9	
DE	6203				ODE	6203				
ENCL	TENV			SER.						

Parts List		
Part Number	Description	Quantity
SA126788	SA 34K208-0097G1	1.000 EA
RA117076	RA 34K208-0097G1	1.000 EA
NS2512A01	INSULATOR, CONDUIT BOX X	1.000 EA
34CB3002A	CB CAST W/.88 DIA HOLE	1.000 EA
34GS1029A01	GASKET, CONDUIT BOX	1.000 EA
51XB1016A07	10-16 X 7/16 HXWSSLD SERTYB	2.000 EA
11XW1032G06	10-32 X .38, TAPTITE II, HEX WSHR SLTD U	1.000 EA
34EP3900T59	FR ENDPLATE, MACH	1.000 EA
HW5100A03	WAVY WASHER (W1543-017)	1.000 EA
34EP3300A24SP	PU ENDPLATE, MACH	1.000 EA
51XN1032A20	10-32 X 1 1/4 HX WS SL SR	2.000 EA
34CB4517	CB LID 4 MTG HOLES .22 DIA STAMPED, FOR	1.000 EA
34GS1031A01	GASKET, FLAT CONDUIT BOX LID (LEXIDE)	1.000 EA
51XW0832A07	8-32 X .44, TAPTITE II, HEX WSHR SLTD SE	4.000 EA
84XN2520J44	1/4-20 X 2 3/4 SOC HD CAP SCREW	4.000 EA
HW2501D01	KEY, 3/16 SQ X 0.438	1.000 EA
HW2501D13	KEY, 3/16 SQ X 1.375	1.000 EA
HA7000A04	KEY RETAINER 0.625 DIA SHAFTS	1.000 EA
MG1000G27	MED CHARCOAL METALLIC GREY 400-0096	0.014 GA
33BK0047	STEARNS 3-21-84AF0-0B-WG, .625 BORE, 3 L	1.000 EA
HA3100A44	THRUBOLT 10-32 X 8.000	4.000 EA
LB1119N	WARNING LABEL	1.000 EA
LC0005F02	3PH,DV,REV,9 LEAD MTR W/STEARNS 320 BRK	1.000 EA
NP1893	NP W/O THRM, UL, CSA, CC, SELF-ADHESIVE	1.000 EA

Parts List (continued)		
Part Number	Description	Quantity
27PA1001	PKG GRP, PRINT PK1027A06	1.000 EA
MN416A01	TAG-INSTAL-MAINT no wire (1200/bx) 3/19	1.000 EA
PK3083	STYROFOAM PACKING CRADLE	1.000 EA
PK3088	MICROFOAM, 8"X"8 PERF. SHEETS 5,400/RL	1.000 EA

AC Induction Motor Performance Data

Record # 20814 - Typical performance - not guaranteed values

Winding: 34WG0097-R005	Type: 3420M	Enclosure: TENV
-------------------------------	--------------------	------------------------

Nameplate Data				460 V, 60 Hz: High Voltage Connection	
Rated Output (HP)	.5			Full Load Torque	1.5 LB-FT
Volts	208-230/460			Start Configuration	direct on line
Full Load Amps	1.9-1.8/.9			Breakdown Torque	6.8 LB-FT
R.P.M.	1725			Pull-up Torque	4.6 LB-FT
Hz	60	Phase	3	Locked-rotor Torque	5.8 LB-FT
NEMA Design Code	B	KVA Code	K	Starting Current	7 A
Service Factor (S.F.)	1.15			No-load Current	0.54 A
NEMA Nom. Eff.	75.5	Power Factor	69	Line-line Res. @ 25°C	27.56 Ω
Rating - Duty	40C AMB-CONT			Temp. Rise @ Rated Load	57°C
S.F. Amps				Temp. Rise @ S.F. Load	74°C
				Locked-rotor Power Factor	56

Load Characteristics 460 V, 60 Hz, 0.5 HP

% of Rated Load	25	50	75	100	125	150	S.F.
Power Factor	38	53	65	71	75	81	75
Efficiency	55	69	74	78	75.5	74.4	75.5
Speed	1787	1774	1760	1749	1728	1717	1728
Line amperes	0.6	0.65	0.74	0.84	1	1.1	1

Performance Graph at 460V, 60Hz, 0.5HP Typical performance - Not guaranteed values

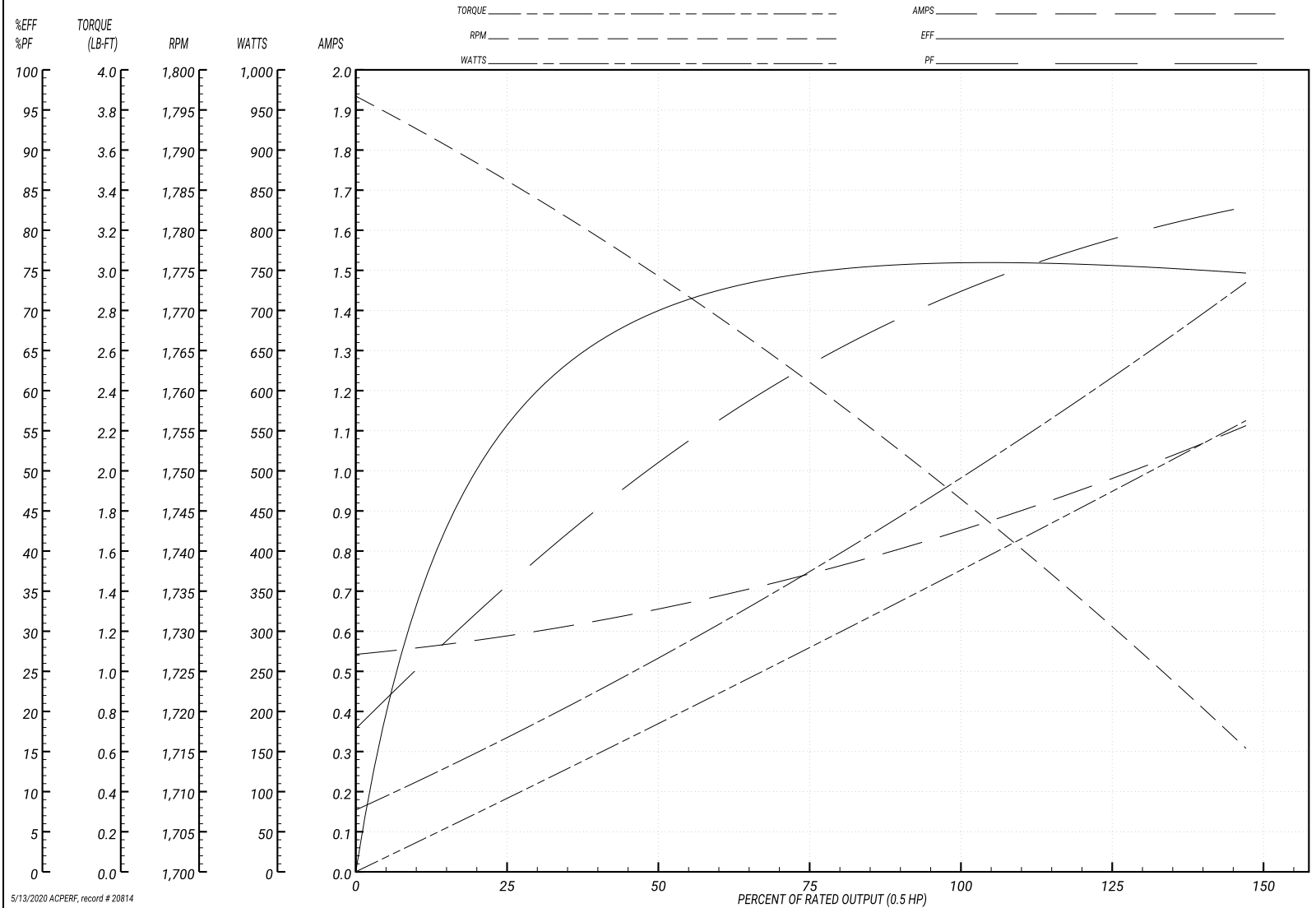
ABB Motors and Mechanical Inc.

WINDING # 34WG0097

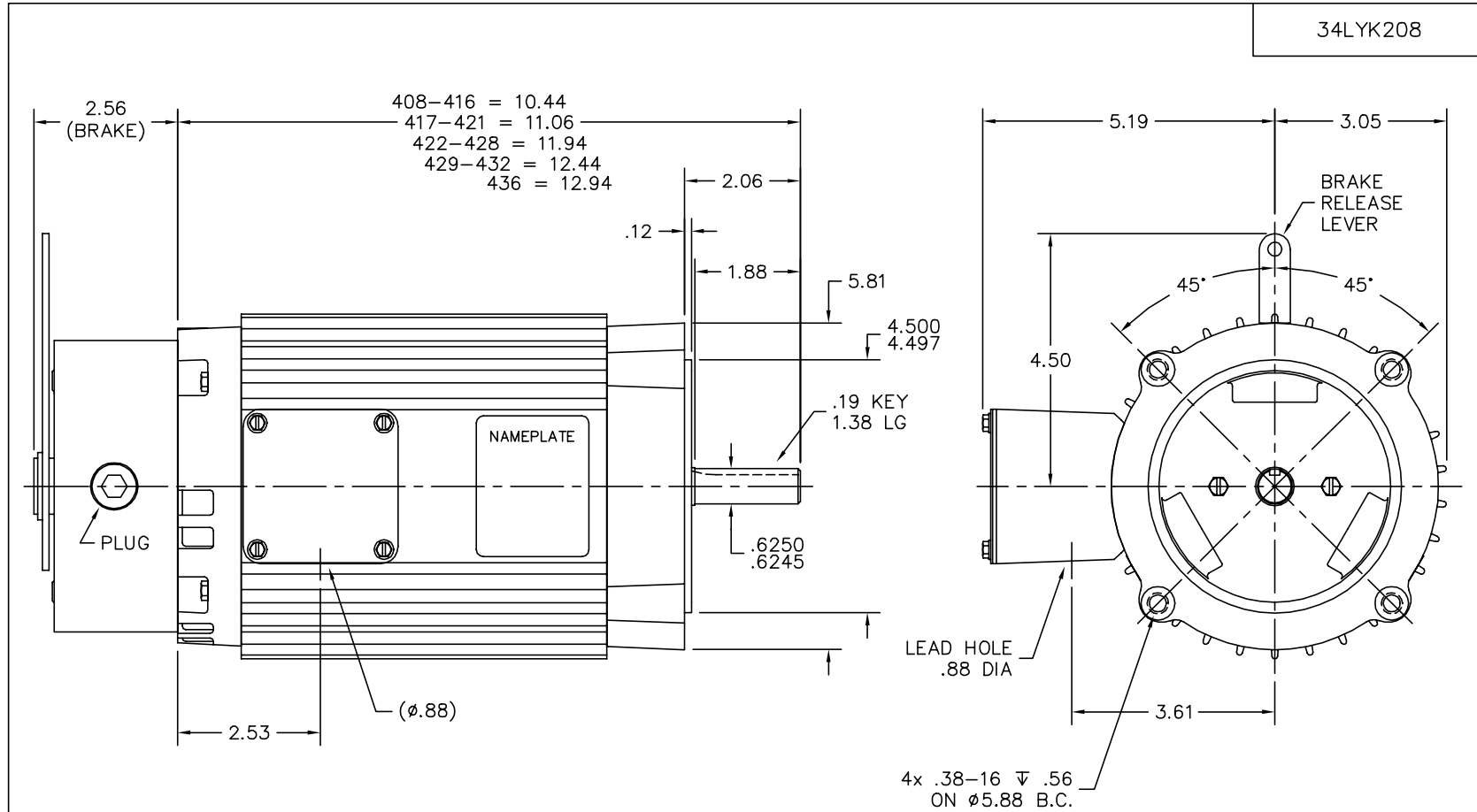
Typical performance - not guaranteed values.

0.5 HP 3 PH 60 HZ 1725 RPM 460 V 3420M

TORQUES(LB-FT): PO=6.8 PU=4.6 LR=5.8 LRA=7



5/13/2020 ACPERF, record # 20814



CUSTOMER IS RESPONSIBLE FOR DETERMINING THAT MOTOR PERFORMANCE IS SUITABLE IN THE APPLICATION.

REV. DESC: UPDATED NAMEPLATE GRAPHICS			BALDOR ELECTRIC Co.
REV. LTR: C	VERSION: 03	TDR: 000000353756	
34LYK208	FILE: \AAA\00119\840	REVISED: 10:33:14 03/29/2005	VERT 34M NEMA 56C TENV W/EXTRUDED FRAME & 321 BRAKE
	MTL: -	BY: ENJFDO	

34LYK208

CD0005

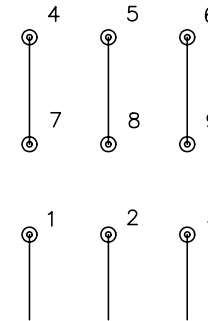


LOW VOLTAGE
(2Y)



LINE

HIGH VOLTAGE
(1Y)



LINE

NOTES:

1. INTERCHANGE ANY TWO LINE LEADS TO REVERSE ROTATION.
2. OPTIONAL THERMOSTATS ARE PROVIDED WHEN SPECIFIED.
3. ACTUAL NUMBER OF INTERNAL PARALLEL CIRCUITS MAY BE A MULTIPLE OF THOSE SHOWN ABOVE.
4. LEAD COLORS ARE OPTIONAL. LEADS MUST ALWAYS BE NUMBERED AS SHOWN.

REV. DESC: REVISE TO SHOW OPTIONAL COLORS			
REV. LTR: E	BY: JLP	REVISED: 01/19/99 10:15	TDR: 0171435
900000		FILE: AAA00005140	MDL: -
		MTL: -	

BALDOR ELECTRIC Co.

3PH, DV, 9 LEADS

CD0005